

1

2

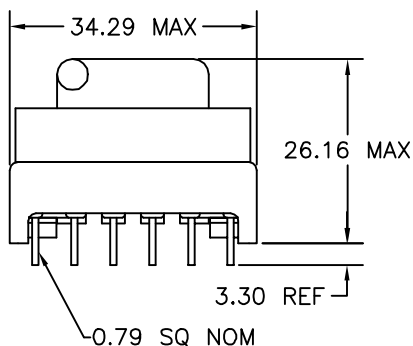
3

4

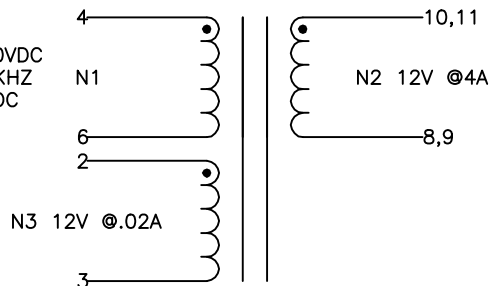
5

6

A

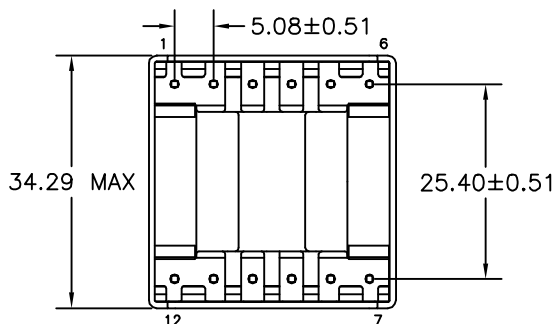


100-400VDC
 @ 100KHZ
 50% DC



B

C



NOTE:
 POLARITY SHOWN IS FOR THE
 TRANSFORMER. FOR CORRECT
 FLYBACK OPERATION, CONNECT
 B+ TO PIN 6.

D

E

ELECTRICAL SPECIFICATIONS

L @ 1kHz 10mA - (4-6) 163μH ±10%

LL @ 100kHz 10mA - (4-6) 4.6μH TYP, TOL TBD
 (WITH 2,3,8-11 SHORTED)

URNS RATIO - ±3%

N1:N2 - 1:0.121

N1:N3 - 1:0.121

DCR - OHMS TYP, TOL TBD

N1 - 0.133

N2 - 0.004

N3 - 0.125

HIPOT - 4000VAC 1SEC

N1,N3 TO N2

H

REVISION		DATE	MARKINGS	LOCATION
			CRAMER DATE CODE	PIN RAIL SIDE OF CORE
A	RELEASED	03/07/06	CVP 45-015	
B	UPDATED PIN ASSIGNMENTS	03/21/06	DESCRIPTION	TOLERANCE UNLESS OTHERWISE SPECIFIED 2 PLACE DECIMALS ±.010 3 PLACE DECIMALS ±.005 FRACTIONS ±1/64 ANGLES ±1/2°
			48 VA VIPER 100 FLYBACK	
			CUSTOMER	PROPRIETARY INFORMATION PROPERTY OF CRAMER COIL & TRANSFORMER CO. DUPLICATION AND/OR DISTRIBUTION BY PERMISSION ONLY
			G:\DATA\SPECS\ENG\CVP\45-015	
			DR. MEC	CUSTOMER PART NUMBER
			DATE 03/07/06	REV
			APPD. JDB	CRAMER PART NUMBER
			DATE 03/09/06	CVP 45-015
				REV B

1

2

3

4

5

6

J

J